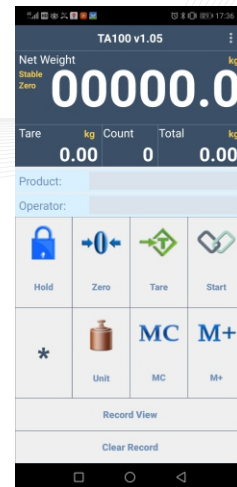


General Specifications

- | | |
|--|---|
| <ul style="list-style-type: none"> • Display • Capacities • Keyboard • Housing • Max. Divisions • ADC • ADC update • Operate Temp • Power | <p>30mm digits LCD display with LED backlight (TN-LCD)</p> <p>600kg~12t</p> <p>5 keys(Mechanical switch)</p> <p>Die-Casting Aluminum</p> <p>3x3,000d</p> <p>Sigma delta</p> <p>≤1/10 second</p> <p>-10°C~+40°C</p> <p>Input AC 100-240V,Output DC12V/2500mA;
Li battery 7.4V 5200mA</p> |
|--|---|



TA100 APP Software

- Application: 1. Tare 2. Hold 3. Accumulation 4. Weighing units conversion
- Stainless steel load cell
- Rechargeable Li-Battery provide 72 hours continuous use without Backlight
- Strong alloy steel shackle & hook with the safety lock
- Overload records management
- Remote controller, support 25 meters distance for data transmission
- Optional WIFI communication
- Optional Bluetooth communication, support 10 meters distance for data transmission
- Optional TA100 APP software for Android mobile phone, allows remote controlling scale; configuring product & operator information; weighing records management

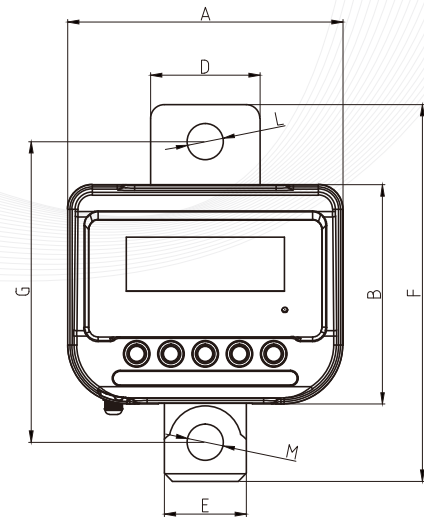
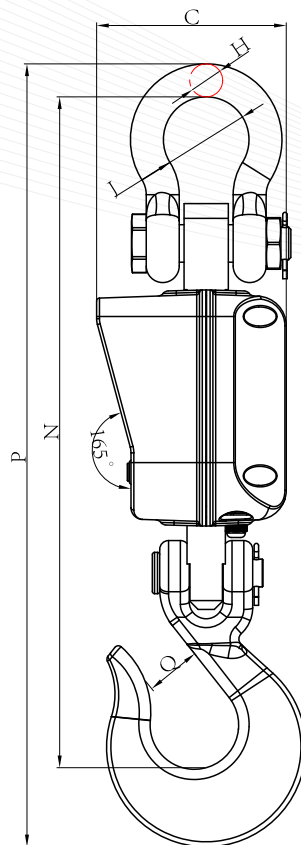
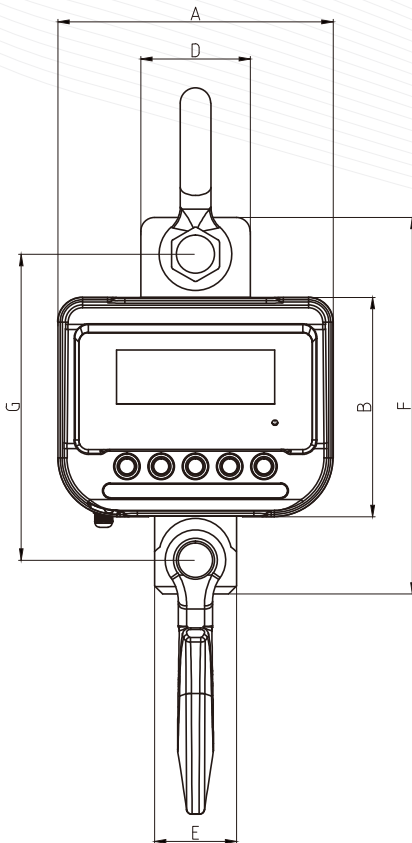
TN Crane Scales

Model Name	Capacity	Readability	Division	Approx. weight	Approval
TN-600kg	150kg/300kg/600kg	0.05kg/0.1kg/0.2kg	3x3,000d	11kg	CE, GS
TN-1500kg	300kg/600kg/1500kg	0.1kg/0.2kg/0.5kg	3x3,000d	11kg	CE, GS
TN-3000kg	600kg/1500kg/3000kg	0.2kg/0.5kg/1kg	3x3,000d	11kg	CE, GS
TN-6000kg	1500kg/3000kg/6000kg	0.5kg/1kg/2kg	3x3,000d	20kg	CE, GS
TN-12000kg	3000kg/6000kg/12000kg	1kg/2kg/5kg	3x3,000d	25kg	CE, GS

Options



Dimensions(mm)



DIM (mm) CAP	600kg	1.5T	3T	6T	12T
A	201	201	201	201	201
B	160	160	160	160	160
C	128.5	128.5	128.5	128.5	128.5
D	80	80	80	95	95
E	60	60	60	80	80
F	270	270	275	320	330
G	219	219	219.5	248	247.5
H	φ 19	φ 19	φ 22	φ 25.4	φ 31.8
J	φ 50.8	φ 50.8	φ 58	φ 68.3	φ 82.5
L	φ 23	φ 23	φ 26.5	φ 30	φ 36
M	φ 23	φ 23	φ 26.5	φ 30	φ 36
N	415	415	456	528	557
P	477	477	532	624	660
Q	42.9	42.9	50.8	63.5	63.5